

140mm sq.

San Ace 140W

38mm thick, 51mm thick(WB type)



General Specifications

- Material Frame: Aluminum, Impeller: Plastics (Flammability: UL94V-1)
- Expected Life Refer to specifications (Indoor, L10:Survival rate: 90% at 60°C, rated voltage, and continuously run in a free air state)
- Lead Wire ⊕red ⊖black or blue (Sensor) yellow
- Storage Temperature -30°C to +70°C (Non-condensing)

140×140×38mm (Mass : 650g) **IP 68**

Specifications

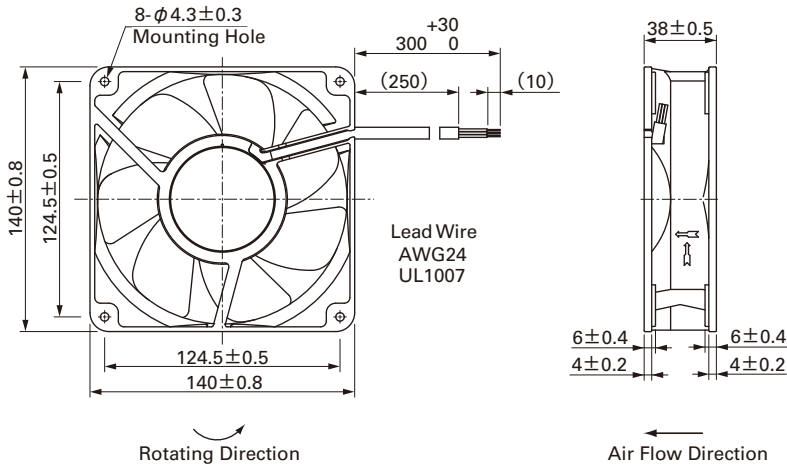
The following nos. have pulse sensors.

Model No.	Rated Voltage [V]	Operating Voltage Range [V]	Rated Current [A]	Rated Input [W]	Rated Speed [min ⁻¹]	Max. Air Flow [m ³ /min] [CFM]	Max. Static Pressure [Pa] [inchH ₂ O]	SPL [dB(A)]	Operating Temperature [°C]	Expected Life [h]
109W1412H101-U	12	10.2 to 13.8	0.73	8.76	2,600	4.5 159	98 0.394	46	- 20 to + 70	100,000
109W1412M101-U			0.3	3.6	1,900	3.3 117	52 0.209	38		
109W1424H101-U	24	20.4 to 27.6	0.37	8.88	2,600	4.5 159	98 0.394	46		
109W1424M101-U			0.16	3.84	1,900	3.3 117	52 0.209	38		
109W1448H101-U	48	40.8 to 55.2	0.2	9.6	2,600	4.6 159	98 0.394	46		
109W1448M101-U			0.09	4.32	1,900	3.3 117	52 0.209	38		

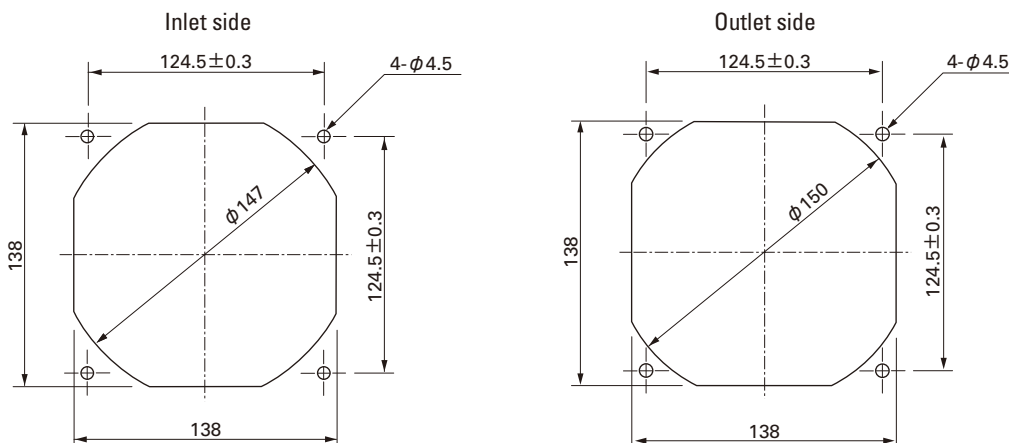
Available options: ⇒ Without Sensor

Please inquire as the availability of these functions depend on the model. ⇒ Lock Sensor

Dimensions (Unit : mm)



Reference dimension of mounting holes and vent opening (Unit : mm)



Options (Unit : mm)

Finger guards

Model : 109-719

Surface treatment : Nickel-chrome plating

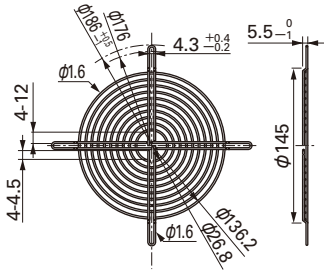
Color (silver)

Model : 109-719H

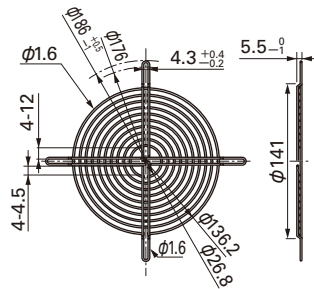
Surface treatment : Cation electropainting

Color (black)

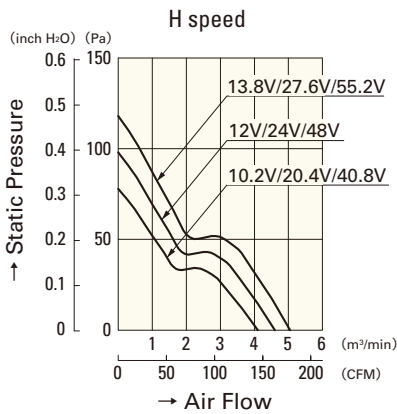
Inlet side, Outlet side



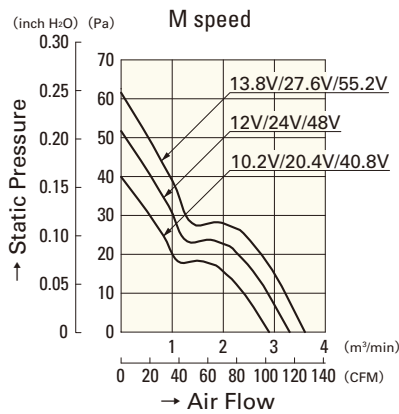
Inlet side, Outlet side



Air Flow - Static Pressure Characteristics



109W1412H101-U
109W1424H101-U
109W1448H101-U



109W1412M101-U
109W1424M101-U
109W1448M101-U